



hybrid stepping motor **MOONS'**



23HS Series

Key Features

- High Torque
- High Accuracy
- Smooth Movement

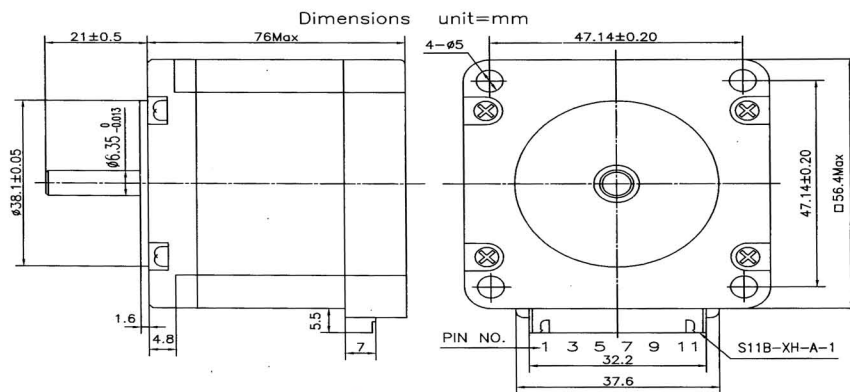
RoboPardaz.com
مرکز تخصصی و اطلاعات رباتیک

Uni-polar

Model Number	Resistance per Phase	Inductance per Phase	Rated Current	Holding Torque	Step Angel	Insulation Class
	ohm	mH	A	kg.cm	°	°C
23HS3004	1.0±0.15	2.1	3.0	13	1.8Deg± 5%	B

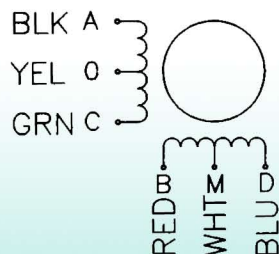
DIMENSION

DIMENSION (UNIT : mm)



WIRING DIAGRAM AND DRIVING

Wiring Diagram



detail of connector:

