



- ✓ - EMC emission and immunity: as per EN 61326.
- ✓ - Wiring: shieldless cable.
- ✓ - Case: with ventilation device.
- ✓ - Compensated temperature range: +32...+176 °F (0...+80°C).
- ✓ - Calibration: adjustable.



CE Compliance to requirements of directives:
EMC 2004/108/EC - PED 97/23/EC - RoHS 2011/65/EC

8.S09 - Standard Model

Ranges: 0...40 IN WC / 0...6000 psi, relative
(0...1 / 0...400bar, relative);
-30...0 IN HG, -30IN HG...350 psi, relative
(-1...0 / -1...+24 bar, relative).

Accuracy (% span):
≤ 0,5 max for span ≤ 240 IN WC (600 mbar);
≤ 0,25 max for span > 240 IN WC (600 mbar).

Calibration: limit-point as per DIN 16086.

Repeatability: ≤ 0,15 % of span.

Thermal drift:
≤ 0.044 % span / °F (≤ 0,08 % span / °C) for span < 100 INWC (0,25 bar);
≤ 0.028 % span / °F (≤ 0,05 % span / °C) for span 100...≤ 240 INWC (0,25...≤0,6 bar);
≤ 0.017 % span / °F (≤ 0,03 % span / °C) for pressure ranges > 240 INWC (0,6 bar);

Annual drift: ≤ 0,2 % of span.

Process fluid temperature: -13...+185 °F (-25...+85 °C).

Ambient temperature: -13...+185 °F (-25...+85 °C).

Storage temperature: -40...+185 °F (-40...+85 °C).

Output signals: 4...20 mA.

Supply and max load: see on page 2.

Response time (10...90%): <3 ms.

Zero calibration: ± 10 % span typical.

Range calibration: ± 10 % span typical.

Compensated temperature range: +32...+176 °F; (0...+80 °C).

Sensor: piezoresistive.

Filling fluid: silicon oil.

Case: stainless steel, vented for span ≤ 16 bar.

Wetted parts: AISI316L st.st.

Electric connection: *EN 175301-803, exit for cables ø 0.23...0.35" (6...9 mm).

Protection degree: IP 65 as per EN 60529 / IEC 529.

Weight: 0.50 lbs" (0,23 kg).

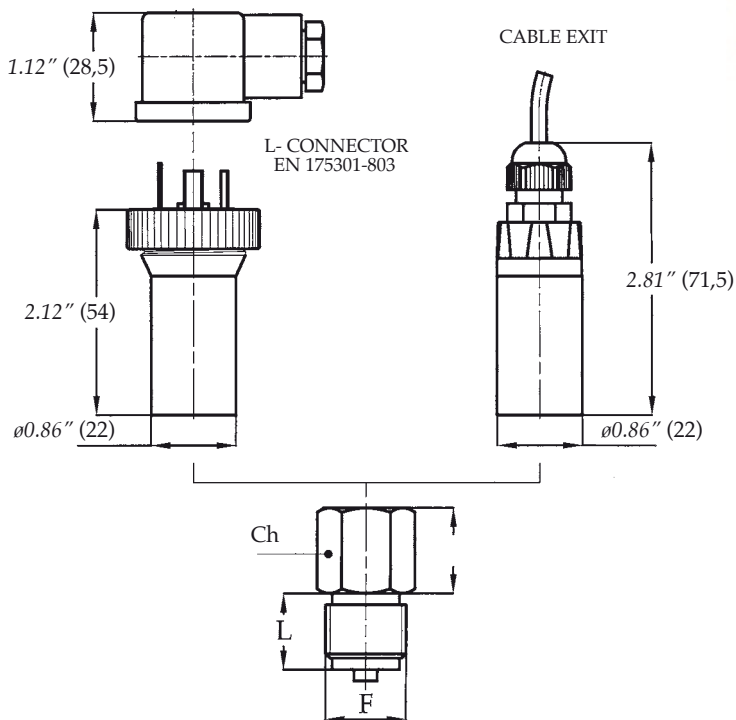
(*Ex DIN 43650

Ranges relative (1)	Overpressure psi, relative
0...40/0...240 IN WC	29
0...15 psi	43
0...25 psi	72
0...30 psi	145
0...60 psi	290
0...100 psi	290
0...160 psi	435
0...300 psi	725
0...600 psi	1740
0...1000 psi	2610
0...1500 psi	2900
0...2500 psi	4640
0...3500 psi	7250
0...6000 psi	11600

(1) Other unit of measurement and intermediate ranges are available, as requested by customer.

Ranges bar, relative (1)	Overpressure bar, relative
0...0,1/0...0,6	2
0...1	3
0...1,6	5
0...2,5	10
0...4/0...6	20
0...10	30
0...16	50
0...25	90
0...40	120
0...60	180
0...100	200
0...160	320
0...250	500
0...400	800

(1) Other unit of measurement and intermediate ranges are available, as requested by customer.



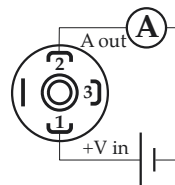
F	L
41M - G 1/2 A	0.78" (20)
21M - G 1/4 A	0.51" (13)

dimensions : inches (mm)

Pn (bar)	H	Ch
≤ 100	1.08" (27,5)	0.87" (22)
> 100	1.24" (31,5)	0.94" (24)

Output signals	4...20 mA 1
N. wires	2
Load (Ohm)	$R_L \leq (V_{in}-10)/0,02$
Supply: +Vin	10...30
Ground	(pls. refer to Installation Manual)

4...20 mA



OPTIONS

CRP - CR gasket, process fluid temperature: -40...+176 °F (-40...+85°C)
EPD - EPDM gasket, process fluid temperature: -40...+212 °F (-40...+100°C)
NBR - NBR gasket; process fluid temperature: -13...+176 °F (-25...+85°C)
FPM - VITON gasket; process fluid temperature: -4...+212 °F (-15...+100°C)
C01 - Calibration report
PVC - Cable exit, with PVC cable (1)

(1) Zero calibration not available

“HOW TO ORDER” SEQUENCE

Section	Model	Range	Process connection	Output signal	Gasket	Options
8	S09	41M 21M		1	FPM CRP EPD NBR	C01, PVC