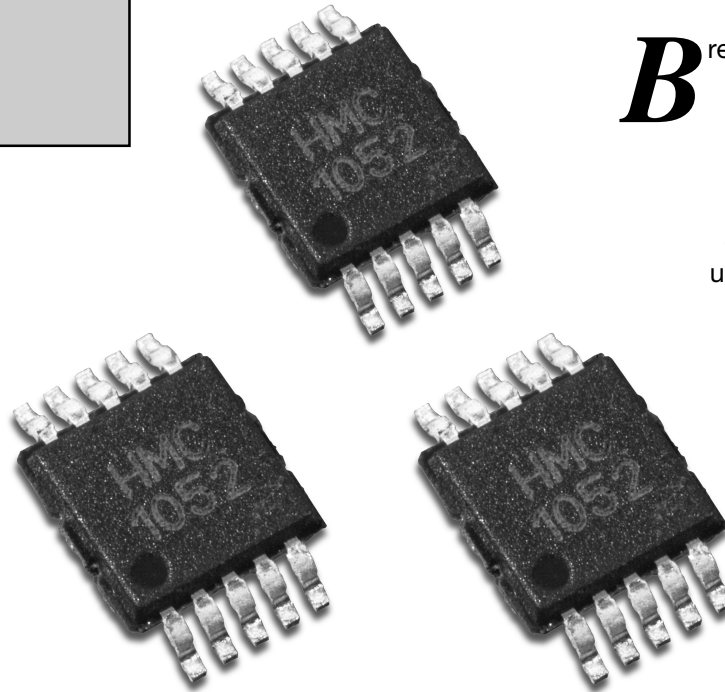


Two-Axis Magnetic Sensors

HMC1052

APPLICATIONS

- Compassing
- Navigation Systems
- Attitude Reference
- Traffic Detection
- Medical Devices
- Position Sensing



Breakthrough design contains a compact, high performance two-axis magnetoresistive sensors on a single chip. Advantages of this patented design include perfectly orthogonal two-axis sensing, ultra small size and low power in a 10-pin miniature surface mount package.

FEATURES AND BENEFITS

| | |
|-------------------------|---|
| Low Power | Supply voltage could be as low as 1.8V. |
| Small Package | Available in a 10-pin miniature surface mount package (MSOP) with total mounting envelope of 3mm x 3mm x 1mm. |
| High Performance | Sensitivity of 1mV/V/Oe with a wide field range up to +/- 6 Oe. |
| High Accuracy | Nearly perfect orthogonal two-axis sensing (Error < 0.01°) and matched sensitivity on both axis eliminates errors in compassing applications. |
| On-Chip Coils | Patented on-chip set/reset straps reduces the effects of temperature drift, non-linearity errors and loss of signal output due to the presence of high magnetic fields. |

BASIC DEVICE OPERATION

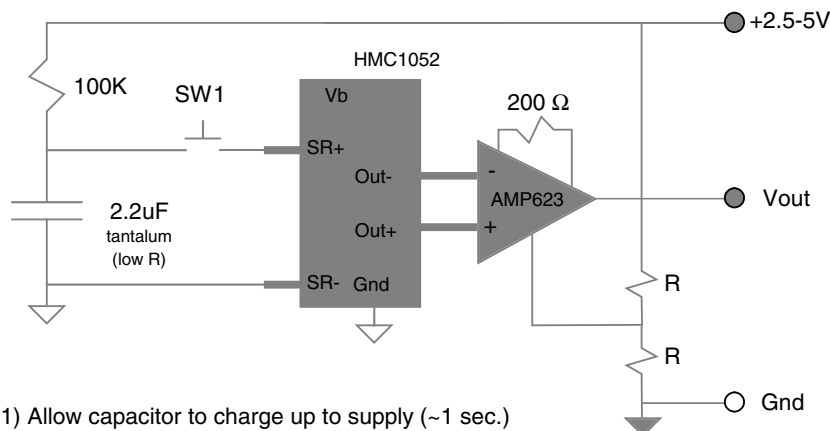
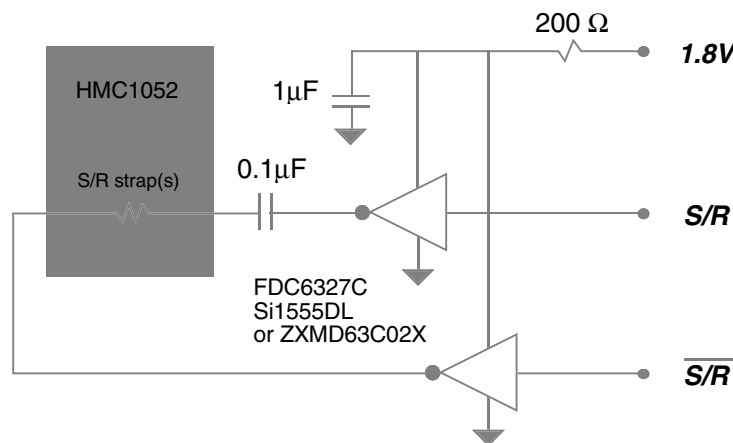
HMC1052 is a two-axis linear magnetic field sensor. Like the other Honeywell HMC10xx devices, each sensor is a resistive Wheatstone bridge formed by a magneto-resistive metal film. When a power supply is connected to the bridge, the sensor converts any ambient or applied magnetic field in the sensitive direction to a voltage output. This device contains two magnetic field sensors with sensitive directions perpendicular to each other; Sensor A and Sensor B coexist on a single silicon chip with nearly perfect orthogonality and matching characteristics. This patented design offers several advantages including small chip size, low operating voltage and eliminates orthogonality errors caused by two chips.

In addition to the Wheatstone bridges, HMC1052 has two on-chip magnetically coupled straps – the OFFSET strap and the SET/RESET strap. Sensor A and Sensor B share

the same OFFSET strap and the SET/RESET strap. These two straps provide localized magnetic fields to sensitive and insensitive directions for Sensor A and Sensor B, respectively. The SET/RESET strap can be used to ensure high accuracy and to flip the polarity of the output response. The OFFSET strap can be used to calibrate the sensor or to offset any undesired stray field. For more information on OFFSET and SET/RESET straps, please refer to Honeywell data sheet “1- and 2-Axis Magnetic Sensors”.

In the standard MSOP 10-pin package, these two sensors can be powered independently for low power consumption. However, there is no access to OFFSET strap in this package. For applications that requires the OFFSET strap, an alternative package can be assessed and implemented.

LOW VOLTAGE SET/RESET CIRCUIT.



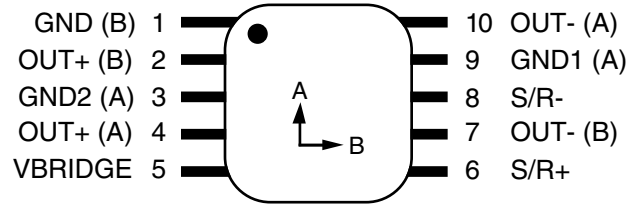
- 1) Allow capacitor to charge up to supply (~1 sec.)
- 2) Momentarily close switch SW1. This creates a >0.5A SET pulse.
- 3) Wait 1msec for settling, then measure output (Out+ - Out-)

HMC1052 PRELIMINARY SPECIFICATIONS

| Characteristic | Conditions* | Min | Typ | Max | Unit |
|----------------------------------|---|-----|--------------------|-------|-------------------------|
| Bridge Supply | Vbridge referenced to GND | 1.8 | 2.5 | 20 | Volts |
| Bridge Resistance | Bridge current = 1mA | | 1000 | | Ω |
| Operating Temperature | Ambient | -40 | | 125 | $^{\circ}\text{C}$ |
| Storage Temperature | Ambient, unbiased | -55 | | 150 | $^{\circ}\text{C}$ |
| Field Range | Full scale (FS) — total applied field | -6 | | +6 | gauss |
| Linearity Error | Best fit straight line ± 1 gauss ± 3 gauss ± 6 gauss | | 0.05 0.4 1.6 | | %FS |
| Hysteresis Error | 3 sweeps across ± 3 gauss | | 0.1 | | %FS |
| Repeatability Error | 3 sweeps across ± 3 gauss | | 0.1 | | %FS |
| Bridge Offset | Offset = (OUT+) - (OUT-) Field=0 gauss after Set pulse | | ± 1 | | mV/V |
| Sensitivity | Set/Rest Current = 0.5A | | 1.0 | | mV/V/gauss |
| Bandwidth | Magnetic signal (lower limit = DC) | | 5 | | MHz |
| OFFSET Strap Ω | Measured from OFFSET+ to OFFSET- | | 15 | | Ω |
| OFFSET Strap Ω Tempco | $T_A = -40$ to 125°C | | 3900 | | ppm/ $^{\circ}\text{C}$ |
| OFFSET Strap Constant | DC Current Field applied in sensitive direction | | 10 | | mA/gauss |
| Set/Reset Strap Ω | Measured from S/R+ to S/R- | | 4 | | Ω |
| Set/Reset Current | 0.1% duty cycle, or less, 2 μS Current Pulse | | 0.5 | | Amp |
| Set/Reset Strap Ω Tempco | $T_A = -40$ to 125°C | | 3700 | | ppm/ $^{\circ}\text{C}$ |
| Disturbing Field | Sensitivity starts to degrade. Use S/R pulse to restore sensitivity. | 20 | | | gauss |
| Sensitivity Tempco | $T_A = -40$ to 125°C | | -3000 | | ppm/ $^{\circ}\text{C}$ |
| Bridge Offset Tempco | $T_A = -40$ to 125°C | | ± 500 | | ppm/ $^{\circ}\text{C}$ |
| Bridge Ω Tempco | Vbridge=5V, $T_A = -40$ to 125°C | | 2500 | | ppm/ $^{\circ}\text{C}$ |
| Sensitivity Ratio of X,Y Sensors | $T_A = -40$ to 125°C | 99 | 101 | 103 | % |
| X,Y sensor Orthogonality | Sensitive direction in X and Y sensors | | | 0.01 | degree |
| Max. Exposed Field | No perming effect on zero reading | | | 10000 | gauss |

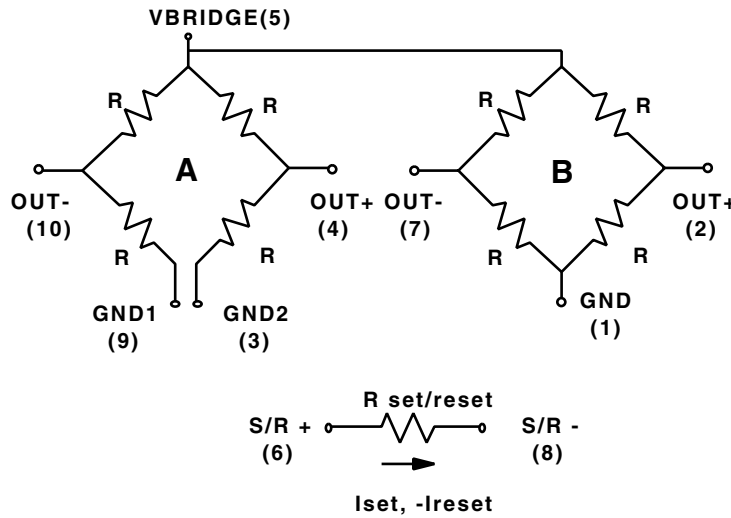
* Tested at 25°C except stated otherwise

PINOUT DRAWINGS

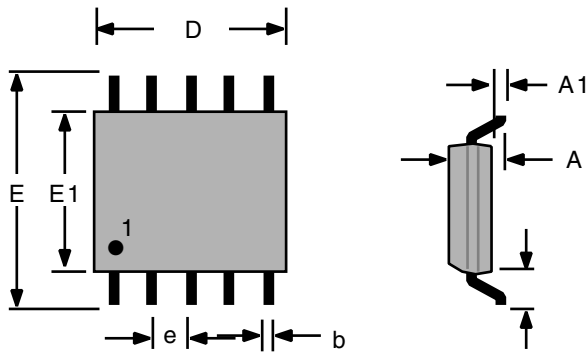


Arrow indicates direction of applied field that generates a positive output voltage after an Iset.

MR SENSOR CIRCUIT



PACKAGE DRAWING 10-PIN MSOP



| Symbol | Millimeters | | Inches x 10E-3 | |
|--------|-------------|------|----------------|------|
| | Min | Max | Min | Max |
| A | - | 1.10 | | 43 |
| A1 | 0.05 | 0.15 | 2.0 | 5.9 |
| b | 0.15 | 0.30 | 5.9 | 11.8 |
| D | 2.90 | 3.10 | 114 | 122 |
| E1 | 2.90 | 3.10 | 114 | 122 |
| e | 0.50 BSC | | 2.0 BSC | |
| E | 4.75 | 5.05 | 187 | 199 |
| L1 | 0.95 BSC | | 37.4 | |

Honeywell reserves the right to make changes to any products or technology herein to improve reliability, function or design. Honeywell does not assume any liability arising out of the application or use of any product or circuit described herein; neither does it convey any license under its patent rights nor the rights of others.

Honeywell

E-Mail: sssec.customer.service@honeywell.com
 Web Sites: www.sssec.honeywell.com
www.magneticsensors.com

Solid State Electronics Center
 12001 State Highway 55
 Plymouth, MN 55441
 1-800-323-8295

RoboPardaz.com

مرجع دیتاشیت و اطلاعات روباتیک