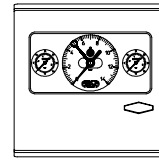


Technical Data Sheet Pneumatic Controller Type 920

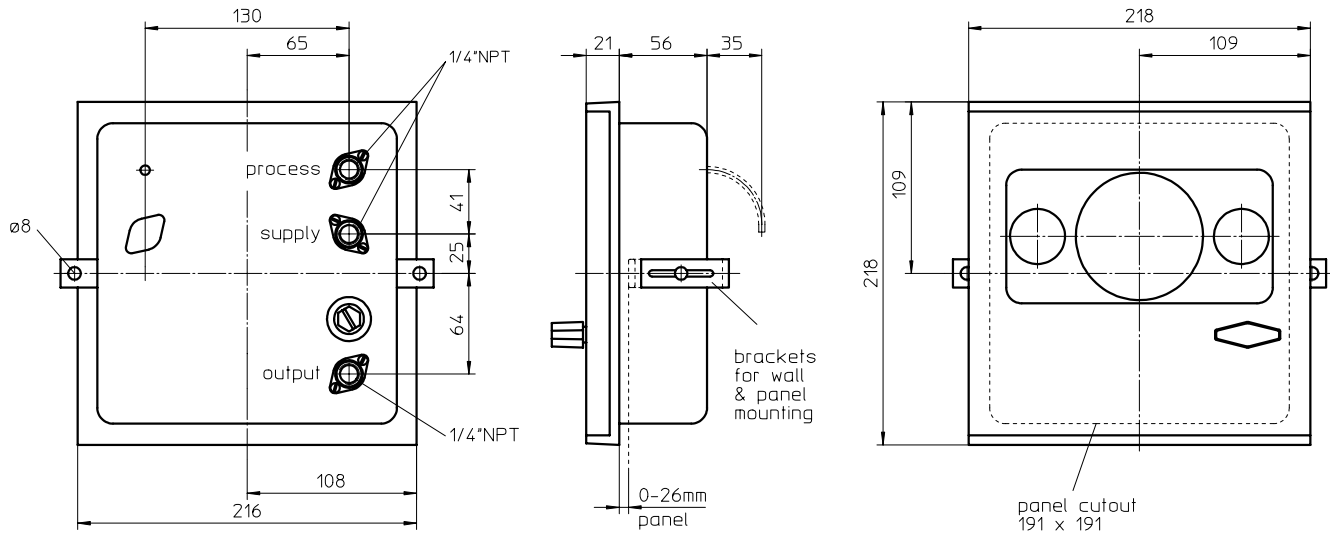
Technical Data

Mounting	Wall mounting or front panel mounting	
Body material	Aluminium / Steel	
Mounting position	Vertically acc. to screen	
Temperature range	-50...90 °C	
Measuring range	[bar(g)]	Measuring element
Over pressure	(0...0,25; 0...0,5; 0...0,7) 0,2...1	Metal diaphragm
	0...1; 0...2	Bourdon tube made of Bronze
	0...4; 0...7; 0...10; 0...14; 0...20	Bourdon tube made of Bronze or SS
	0...28; 0...40; 0...70; 0...140	Bourdon tube made of SS
Control algorithm	P-, PI-, PD-, PID- or 2-state-controller	
P-Range K_p	1...100 % adjustable	
Sensitivity	0,1 % of final value of adjustment range at $K_p = 100$ %	
Accuracy	1%	
Flow capacity	3 Sl/min. at 0,6 bar outlet pressure	
Air supply pressure p_z	1,4 (2,4) bar	
Control pressure y	0,2...1 bar (0,4...2,0 bar)	
Air consumption	0,84 Sm ³ /h	
Connections	1/4" NPT	
Dimensions	Please refer to the dimensional drawing	
Weight	App. 2,5 kg	

Technical Data Sheet Pneumatic Controller Type 920



TD_920



RoboPardaz.com

مرجع دیتاشیت و اطلاعات روباتیک